

# IC Socket

## ZIF socket

ELECSOUND®

### Features:

- Compact mechanical construction to ensure long term life.
- Zero insertion and extraction pressure.
- Standard 2.45mm IC pitch, easy to mount in PC board.
- All plastic are UL94-V0 grade fire retardant.
- Gold plated contact to ensure low contact resistance and long operation life.

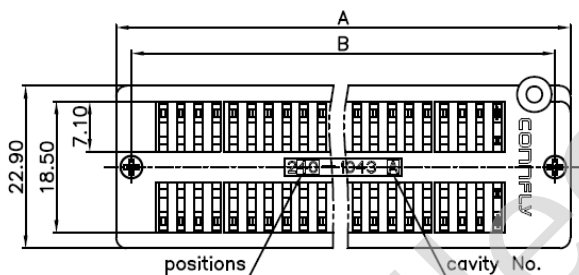
### Electrical:

- Rating: 50VDC, 100mA
- Contact Resistance: 50m OHM, Max.
- Insulation Resistance: 1000M OHM, Min.
- Dielectric Withstanding Voltage: 500VDC Min. for 60 seconds, Capacitance between adjacent contact.

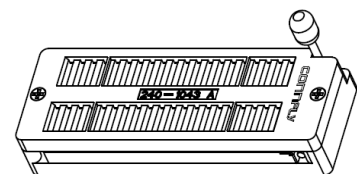
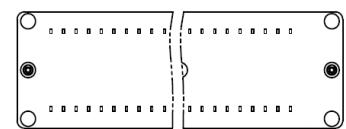
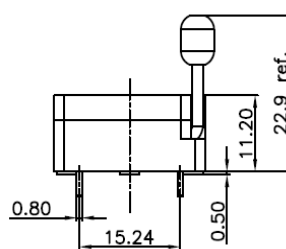
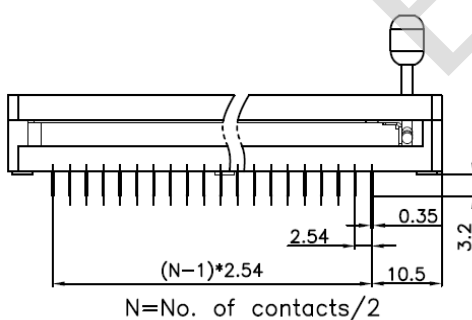
### Mechanical and Environmental:

- Operation Temperature: -25°C ~ +75°C
- Storage Temperature: -40°C ~ +85°C
- Durability: 5000 Cycles (with load)
- Humidity: 95%RH, 40°C for 48 Hours.
- Solderability: After flux 230°C for 5 s, 95% coverage
- Soldering Heat: 260°C for 5 s

### DIMENSIONS



Positions	A	B
24	45.3	40.9
28	50.4	46.0
32	55.5	51.1
40	65.6	61.2
48	75.8	71.4



ELECSOUND ELECTRONICS COMPANY LIMITED

TEL: 0086-755-83045964

FAX: 0086-755-82948027

Website: [www.elecsound.com](http://www.elecsound.com)

[sales@elecsound.com](mailto:sales@elecsound.com)