

Varistor (MOV)

EV8 - 40mm Zinc Oxide Varistor

EIECSOUND®

Wide Operating voltage (V1mA) range from 33V~1800V
 Withstanding Surge Current: 12000~40000A
 Large absorbing transient energy capability
 Fast responding to transient over-voltage
 Low Clamping ratio and no following-on current
 Rohs Compliant

Transistor, Diode, IC, Thyristor or diac semiconductor protection
 Surge protection in consumer electronics
 Surge protection in industrial electronics
 Surge protection in electronic home appliance, gas and petroleum.
 Relay and electromagnetic valve surge absorption

How To Order

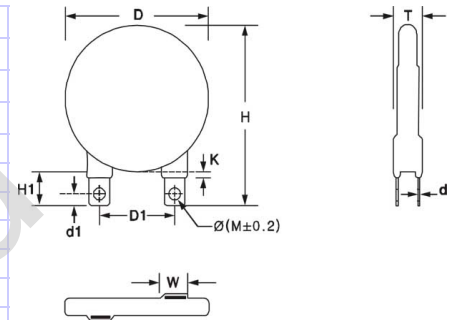
EV8	40	D	471	K	T
MARKing	Chip Diameter	D: Disk	Voltage	Tolerance	Packing Style
	14 : 14mm	S: Square	471= 47x10 ¹	K=±10%	T: Tape
	20 : 20mm	E: Other		L=±15%	
	25 : 25mm				Nothing: bulk
	32 : 32mm				
40 : 40mm					



Diameter And Size(Unit: mm)

Voltage	D (Max.)	H (Max.)	H1 (Min.)	D1 ±1	W (Max.)	T (Max.)
330K-390K	42	62	16	25.4	7.5	7
470K-101K	42	62	16	25.4	7.5	9
121K-182K	42	62	16	25.4	7.5	10.0
201K-271K	42	62	16	25.4	7.5	11.0
301K-621K	42	62	16	25.4	7.5	12.0
681K-911K	42	62	16	25.4	7.5	13.0
951K-122K	42	62	16	25.4	7.5	14.0
142K	42	62	16	25.4	7.5	15.0
162K	42	62	16	25.4	7.5	16.0
182K	42	62	16	25.4	7.5	18.0

øM=4



Electrical Characteristics

Part number	Voltage at DC _{1mA} (25°C)	Max. Continuous Applied Voltage		Max. Voltage at Class Current V _c (V)	Class Current (8/20us) I _p (A)	Energy Surge (10/1000us) Std.(J)	Max. Peak Current (A)	Std. I(A)	Typical Capatance @1KHz(pf)
		AC(V)	DC(V)						
EV8-40D330K	33(29.5-36.5)	20	26	65	60	55	15000	12000	48000
EV8-40D390K	39(35-43)	25	31	77	60	70	15000	12000	35000
EV8-40D470K	47(42-52)	30	38	93	60	85	15000	12000	31000
EV8-40D560K	56(50-62)	35	45	110	60	100	15000	12000	28000
EV8-40D680K	68(61-75)	40	56	135	60	125	15000	12000	24000
EV8-40D820K	82(74-90)	50	65	135	300	150	40000	30000	20000
EV8-40D101K	100(90-110)	60	85	165	300	185	40000	30000	16500
EV8-40D121K	120(108-132)	75	100	200	300	225	40000	30000	13500
EV8-40D151K	150(135-165)	95	125	250	300	285	40000	30000	11000
EV8-40D181K	180(162-198)	115	150	300	300	300	40000	30000	9000
EV8-40D201K	200(180-225)	130	170	340	300	310	40000	30000	6500
EV8-40D221K	220(198-242)	140	180	360	300	330	40000	30000	6000
EV8-40D241K	240(216-264)	150	200	395	300	360	40000	30000	5500
EV8-40D271K	270(243-297)	175	225	455	300	390	40000	30000	5000
EV8-40D301K	300(270-330)	195	250	505	300	410	40000	30000	4600
EV8-40D331K	330(297-363)	210	275	550	300	430	40000	30000	4300
EV8-40D361K	360(324-396)	230	300	595	300	460	40000	30000	4000
EV8-40D391K	390(351-429)	250	320	650	300	490	40000	30000	3600
EV8-40D431K	430(387-473)	275	350	710	300	550	40000	30000	3200
EV8-40D471K	470(423-517)	300	385	775	300	600	40000	30000	2900
EV8-40D511K	510(459-561)	320	418	842	300	640	40000	30000	2700
EV8-40D561K	560(504-616)	350	460	920	300	820	40000	30000	2500
EV8-40D621K	620(558-682)	385	510	1025	300	800	40000	30000	2000
EV8-40D681K	680(612-748)	420	560	1120	300	910	40000	30000	1900
EV8-40D751K	750(675-825)	460	615	1240	300	920	40000	30000	1800
EV8-40D781K	780(702-858)	485	640	1290	300	920	40000	30000	1700
EV8-40D821K	820(738-902)	510	670	1335	300	940	40000	30000	1600
EV8-40D911K	910(819-1002)	510	670	1335	300	960	40000	30000	1500
EV8-40D951K	950(855-1045)	510	670	1335	300	1000	40000	30000	1400
EV8-40D102K	1000(900-1102)	625	825	1650	300	1055	40000	30000	1300
EV8-40D112K	1100(990-1212)	680	895	1815	300	1100	40000	30000	1250
EV8-40D122K	1200(1080-1320)	750	980	1980	300	1200	40000	30000	1200
EV8-40D142K	1400(1278-1540)	870	1160	2370	300	1600	40000	30000	1100
EV8-40D162K	1600(1440-1764)	1000	1200	2700	300	1830	40000	30000	1000
EV8-40D182K	1800(1620-1982)	1200	1465	2970	300	2050	40000	30000	900

EIECSOUND ELECTRONICS COMPANY LIMITED

TEL: 0086-755-83045964

FAX: 0086-755-82948027

Website: www.elecsound.com

sales@elecsound.com