

Varistor (MOV)

EV7 - 32mm Zinc Oxide Varistor

EIECSOUND®

Wide Operating voltage (V1mA) range from 33V~1800V

Withstanding Surge Current: 4500~20000A

Large absorbing transient energy capability

Fast responding to transient over-voltage

Low Clamping ratio and no following-on current

Rohs Compliant

Transistor, Diode, IC, Thyristor or diac semiconductor protection

Surge protection in consumer electronics

Surge protection in industrial electronics

Surge protection in electronic home appliance, gas and petroleum.

Relay and electromagnetic valve surge absorption

How To Order

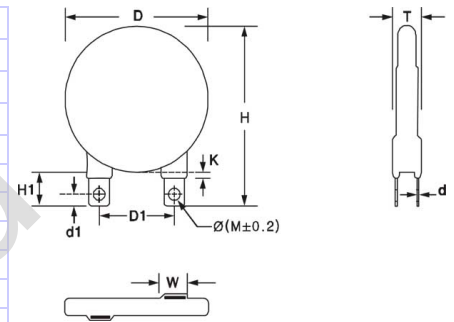
EV7	32	D	471	K	T
MARKing	Chip Diameter	D: Disk	Voltage	Tolerance	Packing Style
	10 : 10mm	S: Square	471= 47x10 ¹	K=±10%	T: Tape
	14 : 14mm	E: Other		L=±15%	Nothing: bulk
	20 : 20mm				
	25 : 25mm				
32 : 32mm					



Diameter And Size(Unit: mm)

Voltage	D (Max.)	H (Max.)	H1 (Min.)	D1 ±1	W (Max.)	T (Max.)
330K-390K	35	56	16	25.4	7.5	7
470K-101K	35	56	16	25.4	7.5	9
121K-182K	35	56	16	25.4	7.5	10.0
201K-271K	35	56	16	25.4	7.5	11.0
301K-621K	35	56	16	25.4	7.5	12.0
681K-911K	35	56	16	25.4	7.5	13.0
951K-122K	35	56	16	25.4	7.5	14.0
142K	35	56	16	25.4	7.5	15.0
162K	35	56	16	25.4	7.5	16.0
182K	35	56	16	25.4	7.5	18.0

øM=3.8



Electrical Characteristics

Part number	Voltage at DC _{1mA} (25°C)	Max. Continuous Applied Voltage		Max. Voltage at Class Current Vc(V)	Class Current (8/20us) Ip(A)	Energy Surge (10/1000us) Std.(J)	Max. Peak Current (A)	Std. I(A)	Typical Capatance @1KHz(pf)
		AC(V)	DC(V)						
EV7-32D330K	33(29.5-36.5)	20	26	65	40	40	12000	8000	30000
EV7-32D390K	39(35-43)	25	31	77	40	50	12000	8000	22000
EV7-32D470K	47(42-52)	30	38	93	40	60	12000	8000	19000
EV7-32D560K	56(50-62)	35	45	110	40	70	12000	8000	16700
EV7-32D680K	68(61-75)	40	56	135	40	85	12000	8000	15000
EV7-32D820K	82(74-90)	50	65	135	200	100	25000	20000	12800
EV7-32D101K	100(90-110)	60	85	165	200	125	25000	20000	10500
EV7-32D121K	120(108-132)	75	100	200	200	150	25000	20000	8700
EV7-32D151K	150(135-165)	95	125	250	200	190	25000	20000	7000
EV7-32D181K	180(162-198)	115	150	300	200	210	25000	20000	5800
EV7-32D201K	200(180-225)	130	170	340	200	225	25000	20000	4160
EV7-32D221K	220(198-242)	140	180	360	200	240	25000	20000	3840
EV7-32D241K	240(216-264)	150	200	395	200	250	25000	20000	3520
EV7-32D271K	270(243-297)	175	225	455	200	260	25000	20000	3200
EV7-32D301K	300(270-330)	195	250	505	200	280	25000	20000	2930
EV7-32D331K	330(297-363)	210	275	550	200	300	25000	20000	2750
EV7-32D361K	360(324-396)	230	300	595	200	330	25000	20000	2560
EV7-32D391K	390(351-429)	250	320	650	200	360	25000	20000	2300
EV7-32D431K	430(387-473)	275	350	710	200	380	25000	20000	2050
EV7-32D471K	470(423-517)	300	385	775	200	430	25000	20000	1850
EV7-32D511K	510(459-561)	320	418	842	200	480	25000	20000	1720
EV7-32D561K	560(504-616)	350	460	920	200	550	25000	20000	1600
EV7-32D621K	620(558-682)	385	510	1025	200	600	25000	20000	1280
EV7-32D681K	680(612-748)	420	560	1120	200	600	25000	20000	1210
EV7-32D751K	750(675-825)	460	615	1240	200	600	25000	20000	1150
EV7-32D781K	780(702-858)	485	640	1290	200	620	25000	20000	1100
EV7-32D821K	820(738-902)	510	670	1335	200	620	25000	20000	1000
EV7-32D911K	910(819-1002)	510	670	1335	200	650	25000	20000	960
EV7-32D951K	950(855-1045)	510	670	1335	200	680	25000	20000	890
EV7-32D102K	1000(900-1102)	625	825	1650	200	800	25000	20000	830
EV7-32D112K	1100(990-1212)	680	895	1815	200	850	25000	20000	800
EV7-32D122K	1200(1080-1320)	750	980	1980	200	880	25000	20000	760
EV7-32D142K	1400(1278-1540)	870	1160	2370	200	1080	25000	20000	660
EV7-32D162K	1600(1440-1764)	1000	1200	2700	200	1220	25000	20000	560
EV7-32D182K	1800(1620-1982)	1200	1465	2970	200	1350	25000	20000	520