

# Varistor (MOV)

## EV6 - 25mm Zinc Oxide Varistor

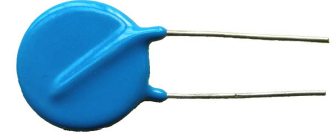
ELECSOUND®

Wide Operating voltage (V1mA) range from 18V~1800V  
 Withstanding Surge Current: 4500~20000A  
 Large absorbing transient energy capability  
 Fast responding to transient over-voltage  
 Low Clamping ratio and no following-on current  
 Rohs Compliant

Transistor, Diode, IC, Thyristor or diac semiconductor protection  
 Surge protection in consumer electronics  
 Surge protection in industrial electronics  
 Surge protection in electronic home appliance, gas and petroleum.  
 Relay and electromagnetic valve surge absorption

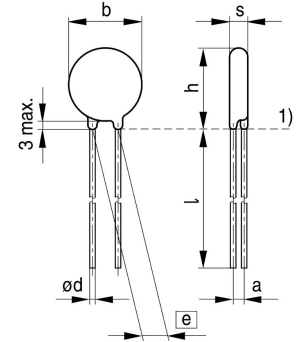
### How To Order

EV6	25	D	471	K	T
MARKing	Chip Diameter	D: Disk	Voltage 471= 47x10 <sup>1</sup>	Tolerance	Packing Style
	07 : 7mm	S: Square		K=±10%	
	10 : 10mm	E: Other		L=±15%	T: Tape
	14 : 14mm				Nothing: bulk
	20 : 20mm				
25 : 25mm					



### Diameter And Size(Unit: mm)

Voltage	B (Max.)	H (Max.)	L (Min.)	E ±1	ød (Max.)	S (Max.)
180K-390K	28	29	25	15	1	7
470K-101K	28	29	25	15	1	9
121K-182K	28	29	25	15	1	10.0
201K-271K	28	29	25	15	1	11.0
301K-621K	28	29	25	15	1	12.0
681K-911K	28	29	25	15	1	13.0
951K-122K	28	29	25	15	1	14.0
142K	28	29	25	15	1	15.0
162K	28	29	25	15	1	16.0
182K	28	29	25	15	1	18.0



### Electrical Characteristics

Part number	Voltage at DC <sub>1mA</sub> (25°C)	Max. Continuous Applied Voltage		Max. Voltage at Class Current Vc(V)	Class Current (8/20us) Ip(A)	Energy Surge (10/1000us) Std.(J)	Max. Peak Current (A)	Std. I(A)	Typical Capatance @1KHz(pf)
		AC(V)	DC(V)						
EV6-25D180L	18(15-21.6)	11	14	38	30	20	6000	4500	45000
EV6-25D220K	22(19.5-24)	14	18	43	30	25	6000	4500	29000
EV6-25D270K	27(24-31)	17	22	53	30	30	6000	4500	26500
EV6-25D330K	33(29.5-36.5)	20	26	65	30	35	6000	4500	18000
EV6-25D390K	39(35-43)	25	31	77	30	40	6000	4500	13500
EV6-25D470K	47(42-52)	30	38	93	30	50	6000	4500	11500
EV6-25D560K	56(50-62)	35	45	110	30	60	6000	4500	10500
EV6-25D680K	68(61-75)	40	56	135	30	70	6000	4500	9050
EV6-25D820K	82(74-90)	50	65	135	150	80	20000	15000	7700
EV6-25D101K	100(90-110)	60	85	165	150	100	20000	15000	6300
EV6-25D121K	120(108-132)	75	100	200	150	120	20000	15000	5200
EV6-25D151K	150(135-165)	95	125	250	150	160	20000	15000	3500
EV6-25D181K	180(162-198)	115	150	300	150	175	20000	15000	3200
EV6-25D201K	200(180-225)	130	170	340	150	180	20000	15000	2400
EV6-25D221K	220(198-242)	140	180	360	150	185	20000	15000	2200
EV6-25D241K	240(216-264)	150	200	395	150	190	20000	15000	2000
EV6-25D271K	270(243-297)	175	225	455	150	200	20000	15000	1700
EV6-25D301K	300(270-330)	195	250	505	150	230	20000	15000	1600
EV6-25D331K	330(297-363)	210	275	550	150	250	20000	15000	1500
EV6-25D361K	360(324-396)	230	300	595	150	280	20000	15000	1400
EV6-25D391K	390(351-429)	250	320	650	150	315	20000	15000	1200
EV6-25D431K	430(387-473)	275	350	710	150	340	20000	15000	1100
EV6-25D471K	470(423-517)	300	385	775	150	360	20000	15000	1100
EV6-25D511K	510(459-561)	320	418	842	150	430	20000	15000	1050
EV6-25D561K	560(504-616)	350	460	920	150	440	20000	15000	950
EV6-25D621K	620(558-682)	385	510	1025	150	460	20000	15000	900
EV6-25D681K	680(612-748)	420	560	1120	150	480	20000	15000	850
EV6-25D751K	750(675-825)	460	615	1240	150	500	20000	15000	800
EV6-25D781K	780(702-858)	485	640	1290	150	510	20000	15000	750
EV6-25D821K	820(738-902)	510	670	1335	150	525	20000	15000	700
EV6-25D911K	910(819-1002)	510	670	1335	150	560	20000	15000	650
EV6-25D951K	950(855-1045)	510	670	1335	150	580	20000	15000	620
EV6-25D102K	1000(900-1102)	625	825	1650	150	600	20000	15000	600
EV6-25D112K	1100(990-1212)	680	895	1815	150	620	20000	15000	550
EV6-25D122K	1200(1080-1320)	750	980	1980	150	700	20000	15000	520
EV6-25D142K	1400(1278-1540)	870	1160	2370	150	900	20000	15000	500
EV6-25D162K	1600(1440-1764)	1000	1200	2700	150	1025	20000	15000	490
EV6-25D182K	1800(1620-1982)	1200	1465	2970	150	1150	20000	15000	450

ELECSOUND ELECTRONICS COMPANY LIMITED

TEL: 0086-755-83045964

FAX: 0086-755-82948027

Website: [www.elecsound.com](http://www.elecsound.com)

[sales@elecsound.com](mailto:sales@elecsound.com)