

Varistor (MOV)

EV2 - 7mm Zinc Oxide Varistor

IECSOUND®

Wide Operating voltage (V1mA) range from 18V~820V

Withstanding Surge Current: 250~1750A

Model Size: 7mm

Fast responding to transient over-voltage<25ns

Low Clamping ratio and no following-on current

Rohs Compliant

Transistor, Diode, IC, Thyristor or diac semiconductor protection

Surge protection in consumer electronics

Surge protection in industrial electronics

Surge protection in electronic home appliance, gas and petroleum.

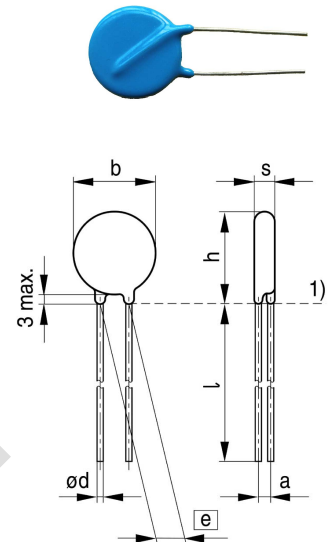
Relay and electromagnetic valve surge absorption

How To Order

EV2	07	D	471	K	T
MARKING	Chip Diameter	D: Disk	Voltage	Tolerance	Packing Style
	05 : 5mm	S: Square	471: 47x10 ¹	K=±10%	T: Tape
	07 : 7mm	E: Other		L=±15%	
	10 : 10mm				Nothing: bulk
	14 : 14mm				
20 : 20mm					

Diameter And Size(Unit: mm)

Voltage	B (Max.)	H (Max.)	L (Min.)	E ±1	ød (Max.)	S (Max.)
180K-680K	9	11	25	5	0.6	5.0
820K-201K	9	11	25	5	0.6	5.0
221K-331K	9	11	25	5	0.6	5.5
361K-471K	9	11	25	5	0.6	6.0
511K-561K	9	11	25	5	0.6	6.5
621K-681K	9	11	25	5	0.6	7.0
751K-821K	9	11	25	5	0.6	7.5



Electrical Characteristics

Part number	Voltage at DC _{1mA} (25°C)	Max. Continuous Applied Voltage		Max. Voltage at Class Current Vc(V)	Class Current (8/20us) Ip(A)	Energy Surge (10/1000us) high(J)	Std. Energy (J)	Max. Peak Current (A)	std. I(A)	Rated Power (W)	Typical Capatance @1KHz(pf)
		AC(V)	DC(V)								
EV2-07D180L	18(15-21.6)	11	14	38	2.5	1.1	0.9	500	250	0.02	3500
EV2-07D220K	22(19.5-24)	14	18	43	2.5	1.3	1.1	500	250	0.02	2800
EV2-07D270K	27(24-31)	17	22	53	2.5	1.6	1.3	500	250	0.02	2200
EV2-07D330K	33(29.5-36.5)	20	26	65	2.5	2	1.6	500	250	0.02	1800
EV2-07D390K	39(35-43)	25	31	77	2.5	2.4	1.9	500	250	0.02	1450
EV2-07D470K	47(42-52)	30	38	93	2.5	2.8	2.3	500	250	0.02	1150
EV2-07D560K	56(50-62)	35	45	110	2.5	3.4	2.7	500	250	0.02	1070
EV2-07D680K	68(61-75)	40	56	135	2.5	4.5	3.6	500	250	0.02	970
EV2-07D820K	82(74-90)	50	65	135	10	7	5	1750	1250	0.25	930
EV2-07D101K	100(90-110)	60	85	165	10	8.5	6	1750	1250	0.25	860
EV2-07D121K	120(108-132)	75	100	200	10	10	7.5	1750	1250	0.25	670
EV2-07D151K	150(135-165)	95	125	250	10	13	9	1750	1250	0.25	490
EV2-07D181K	180(162-198)	115	150	300	10	15	11	1750	1250	0.25	330
EV2-07D201K	200(180-225)	130	170	340	10	18	13	1750	1250	0.25	240
EV2-07D221K	220(198-242)	140	180	360	10	19	14	1750	1250	0.25	190
EV2-07D241K	240(216-264)	150	200	395	10	21	15	1750	1250	0.25	165
EV2-07D271K	270(243-297)	175	225	455	10	24	17	1750	1250	0.25	150
EV2-07D301K	300(270-330)	195	250	505	10	26	19	1750	1250	0.25	135
EV2-07D331K	330(297-363)	210	275	550	10	29	21	1750	1250	0.25	130
EV2-07D361K	360(324-396)	230	300	595	10	32	23	1750	1250	0.25	125
EV2-07D391K	390(351-429)	250	320	650	10	35	25	1750	1250	0.25	105
EV2-07D431K	430(387-473)	275	350	710	10	40	28	1750	1250	0.25	100
EV2-07D471K	470(423-517)	300	385	775	10	42	30	1750	1250	0.25	90
EV2-07D511K	510(459-561)	320	418	842	10	45	32	1750	1250	0.25	80
EV2-07D561K	560(504-616)	350	460	920	10	46	32	1750	1250	0.25	75
EV2-07D621K	620(558-682)	385	507	1025	10	48	35	1750	1250	0.25	70
EV2-07D681K	680(612-748)	420	560	1120	10	53	40	1750	1250	0.25	60
EV2-07D751K	750(675-825)	460	615	1240	10	55	40	1750	1250	0.25	57
EV2-07D781K	780(702-858)	485	640	1290	10	55	40	1750	1250	0.25	55
EV2-07D821K	820(738-902)	510	670	1335	10	57	42	1750	1250	0.25	53

IECSOUND ELECTRONICS COMPANY LIMITED

TEL: 0086-755-83045964

FAX: 0086-755-82948027

Website: www.iecsound.com

sales@iecsound.com