

Single Turn Potentiometer

ET3306 Cermet Trimming Potentiometer

ELECSOUND®

Round/ Single-Turn/ Cermet/ Industrial

4 Terminal Styles

Rohs Compliant



Electrical Characteristics

Standard Resistance Range: 100Ω - 1MΩ

Resistance Tolerance: ±30% std.

Absolute Minimum Resistance: ≤1% max.

Contact Resistance Variation: ≤3% max.

Resistance: Essentially infinted

Adjustment Angle: 215° normal

Environmental Characteristics

Power Rating:(50VDC max)0.3W@70°C

Temperature Range: -30°C to +100°C

Temperature Coefficient: ±250ppm/°C

Load Life: 1000hours , 0.3W @70°C

Physical Characteristics

Mechanical Angle: 240° ±10°

Operating Torque: ≤30mN·m

Terminals: Solderable pins

Marking: Resistance code

Standard Packaging: 200pcs per bag

How To Order:

ET 3306 W - 1 - 103

Model _____
 Style _____
 Standard Product _____
 Resistance Code _____

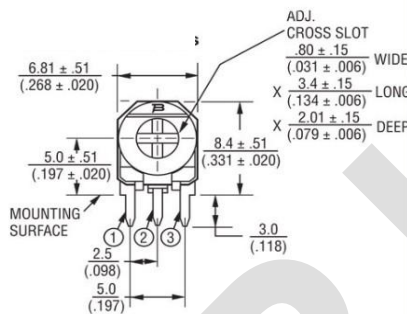
Standard Resistance Table:

Resistance (Ohms)	Resistance Code
100	101
200	201
500	501
1000	102
2000	202
5000	502
10000	103
20000	203
25000	253
50000	503
100000	104
200000	204
250000	254
500000	504
1000000	105

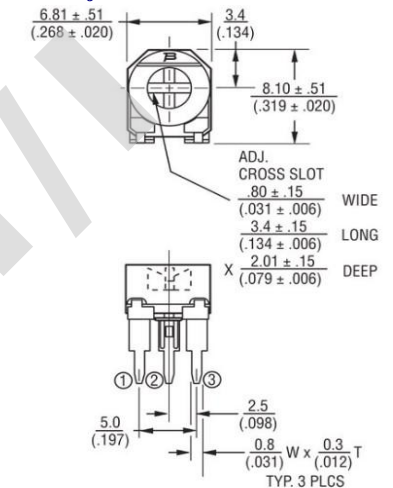
Special Resistance Available

ET3306 Common Dimension

Side Adjust

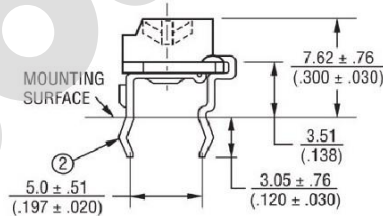


TOP adjust

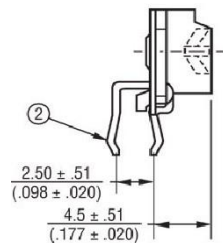


ET3306 Adjust Method

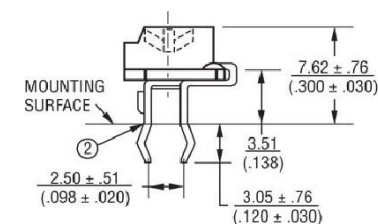
ET3306F



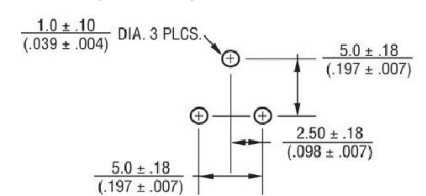
ET3306K



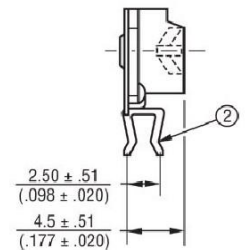
ET3306P



PCB Layout-F style



ET3306W



PCB Layout-K,P,W style

