

Single Turn Potentiometer

ET3303 Cermet Trimming Potentiometer

ELECSOUND®

SMD/ Single-Turn/ Cermet/ Industrial

2 Terminal Styles

Rohs Compliant

Electrical Characteristics

Standard Resistance Range: 100Ω - 1MΩ

Resistance Tolerance: ±25% std.

Absolute Minimum Resistance: ≤2%

Contact Resistance Variation: ≤5%

Insulation Resistance : Infinite

Adjustment Angle: 260° normal

Environmental Characteristics

Power Rating:(50VDC max)0.15W@70°C

Temperature Range: -40°C to +125°C

Temperature Coefficient: ±250ppm/°C

Soldering Heat: 260°C, 10 seconds

Humidity:90% RH 500hours

Endurance:@70°C,500H,ΔR≤5%

Rotational Life: 20Cycles,ΔR≤±15%

Physical Characteristics

Mechanical Angle: Continuous

Starting Torque: ≤30mN·m

Marking: Resistance code

Standard Packaging: 2000pcs per reel/7"

How To Order:

ET3303 X - 3 - 103

Model _____
Style _____

Orientation of Parts In Tape:

- Styles W, C -Terminals Toward Sprocket Holes
- Styles X, D - Terminals Away From Sprocket Holes (preferred)

Standard or Modified

Product Indicator

- 1 = Single Slot (C, D Pin Styles Only)
- 3 = Cross Slot Low Profile (W, X Pin Styles Only)

Resistance Code _____

Standard Resistance Table:

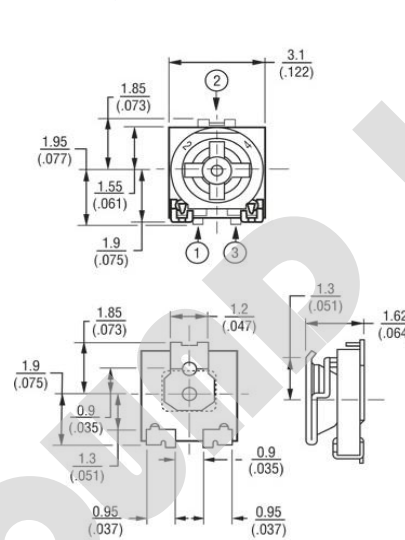
Resistance (Ohms)	Resistance Code
100	101
200	201
500	501
1000	102
2000	202
5000	502
10000	103
20000	203
25000	253
50000	503
100000	104
200000	204
250000	254
500000	504
1000000	105

Special Resistance Available

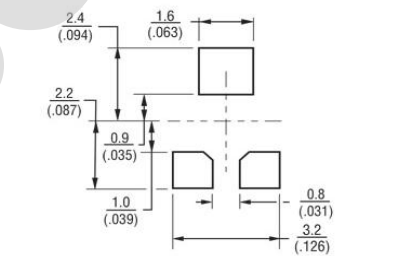


ET3303 Common Dimension & Adjust

ET3303W,X-3

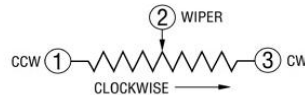


SUGGESTED PWB LAYOUT

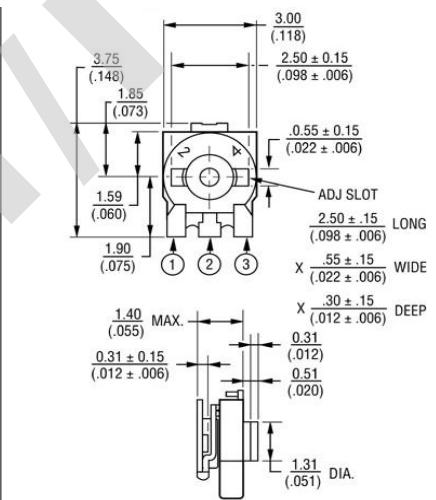


TOLERANCES: ± 0.30 (.012) EXCEPT WHERE NOTED

DIMENSIONS ARE: $\frac{\text{MM}}{\text{(INCHES)}}$



ET3303C,D-3



SUGGESTED PWB LAYOUT

