

Multiturn Potentiometer

ET3269 Chip Cermet Trimming Potentiometer

EIECSOUND®

Square/Multiturn/ Cermet/ Industrial/ Sealed

3 Terminal Styles

Rohs Compliant

Chip Small Size



Electrical Characteristics

Standard Resistance range: 10Ω - 1MΩ

Resistance Tolerance: ±10% std.

Absolute Minimum Resistance: ≤1% or 2Ω

Contact Resistance Variation: ≤3% or 3Ω

Insulation Resistance : R1 ≥ 1,000 MegΩ

Withstand Voltage : 500VAC

Effective Travel: 12 turns normal

Environmental Characteristics

Power Rating: 0.25W@70°C, 0W@125°C(200V)

Temperature Range: -55°C to +125°C

Temperature Coefficient: ±100ppm/°C

Vibration: 10-500Hz, 0.75mm, 6Hour, ΔR ≤ ±1%

Shock: 390m/s, 4000cycles, ΔR ≤ ±1%

Endurance: 0.25W@70°C, 1000H, ΔR ≤ ±3%

Rotational Life: 200Cycles, ΔR ≤ ±3%

Physical Characteristics

Starting Torque: ≤35mN·m

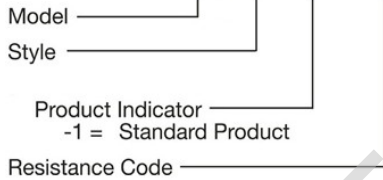
Flammability: UL94V-0

Marking: Resistance code

Standard Packaging: 50pcs per Tube

How To Order:

ET3269 W - 1 - 103

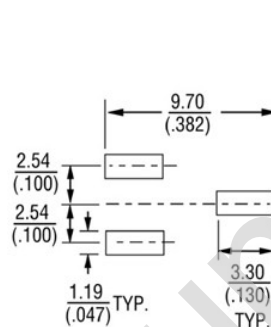


Standard Resistance Table:

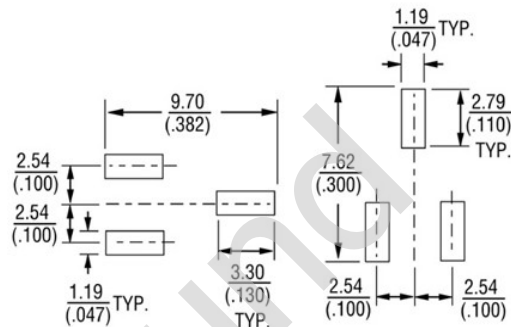
Resistance (Ohms)	Resistance Code
10	100
20	200
50	500
100	101
200	201
500	501
1000	102
2000	202
5000	502
10000	103
20000	203
25000	253
50000	503
100000	104
200000	204
250000	254
500000	504
1000000	105
2000000	205

ET3269 Common Dimension

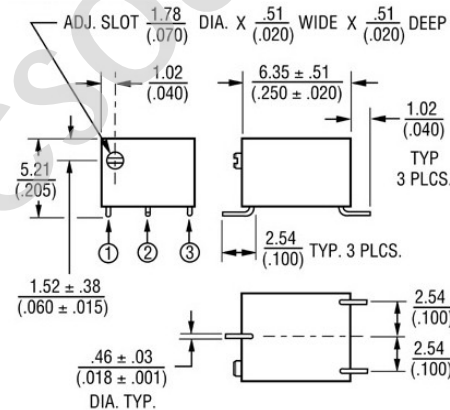
RECOMMENDED PCB LAYOUT - "P"



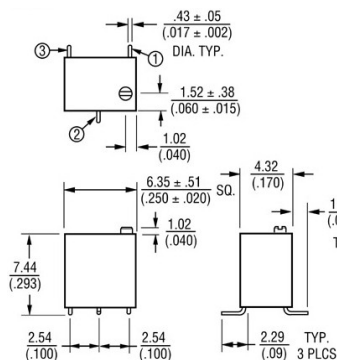
RECOMMENDED PCB LAYOUT - "W" & "X"



Adjust Method



ET3269W



ET3269X

