

Aluminum Electrolytic Capacitors

EAR4-CD11X 7MM Radial Aluminum Electrolytic Capacitors

ELECSOUND®

Load life of 2000 hours at 85 °C

7mm Height

Used in Car Audio,DVD, VCD, Air Conditions Circuits

For general purpose, Standard

Specifications:

Operating Temperature Range(°C): -40~+85

Rated Voltage Range(V): 6.3~63

Nominal Capacitance Ranger(μF): 0.1~470

Capacitance Tolerance(20 °C,120Hz) : 20%

Leakage current (μA): $I \leq 0.01CV$ or $3\mu A$; whichever is smaller(at 25 °C ,after 2 minutes)

Dissipation Factor(25 °C,120Hz)

| Rated Voltage (V) | 6.3 | 10 | 16 | 25 | 35 | 50 | 63 |
|-------------------|------|-----|------|------|------|-----|-----|
| tan δ | 0.24 | 0.2 | 0.16 | 0.14 | 0.12 | 0.1 | 0.1 |

when nominal capacitance is over 1000uF tan δ shall be added 0.02 to the listed

Temperature Stability(120Hz)

| Rated voltage(v) | | 6.3 | 10 | 16 | 25 | 35 | 50 | 63 |
|------------------|---------------|-----|----|----|----|----|----|----|
| Impedance Ratio | Z-25°C/Z+20°C | 4 | 3 | 2 | 2 | 2 | 2 | 2 |
| | Z-40°C/Z+20°C | 8 | 6 | 4 | 4 | 3 | 3 | 3 |

Load Life(+85 °C)

Shelf Life(+85 °C)

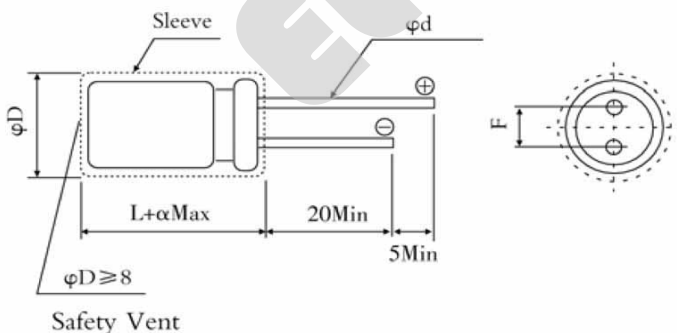
| Time | After applying rated voltage for 2000 Hours at +85°C and then resumed 16 Hours | Time | After Storage for 1000 Hours at +85°C and then resumed 16 Hours |
|--------------------|--|--------------------|---|
| Leakage Current | Not more than the specified value. | Leakage Current | Not more than the specified value. |
| Capacitance Change | Within ±20% of the initial value. | Capacitance Change | Within ±20% of the initial value. |
| Dissipation Factor | Not more than 200% of the specified value. | Dissipation Factor | Not more than 200% of the specified value. |

After test:Rated Voltage to be applied for 30 minutes, 24 to 48 hours before measurement.

Frequency coefficient

| Frequency (Hz) | Rated Voltage (V) | | | | |
|----------------|-------------------|-------|------|-------|------|
| | 50Hz | 120Hz | 1KHz | 10KHz | 100K |
| 6.3~16 | 0.8 | 1.00 | 1.10 | 1.20 | 1.20 |
| 25~35 | 0.8 | 1.00 | 1.50 | 1.70 | 1.70 |
| 50~63 | 0.8 | 1.00 | 1.60 | 1.90 | 1.90 |

Dimensions : (Unit:MM)



Lead spacing and diameter: (Unit:MM)

| ΦD | 4 | 5 | 6 | 7 |
|----|------|---|-----|-----|
| F | 1.5 | 2 | 2.5 | 3.5 |
| Φd | 0.45 | | 0.5 | |

Aluminum Electrolytic Capacitors

EAR4-CD11X 7MM Radial Aluminum Electrolytic Capacitors

ELECSOUND®

Standard Ratings

| WV(V) | 6.3 | | 10 | | 16 | | 25 | | 35 | | 50 | | 63 | |
|----------|------|--------|------|--------|------|--------|------|--------|------|--------|------|--------|------|--------|
| Cap (μF) | Size | Ripple | Size | Ripple | Size | Ripple | Size | Ripple | Size | Ripple | Size | Ripple | Size | Ripple |
| | ΦDxL | mArms | ΦDxL | mArms | ΦDxL | mArms | ΦDxL | mArms | ΦDxL | mArms | ΦDxL | mArms | ΦDxL | mArms |
| 0.1 | - | - | - | - | - | - | - | - | - | - | 4x7 | 1 | - | - |
| 0.22 | - | - | - | - | - | - | - | - | - | - | 4x7 | 2 | - | - |
| 0.33 | - | - | - | - | - | - | - | - | - | - | 4x7 | 3 | - | - |
| 0.47 | - | - | - | - | - | - | - | - | - | - | 4x7 | 4 | - | - |
| 1 | - | - | - | - | - | - | - | - | - | - | 4x7 | 9 | 4x7 | 11 |
| 2.2 | - | - | - | - | - | - | - | - | 4x7 | 13 | 4x7 | 14 | 4x7 | 16 |
| 3.3 | - | - | - | - | - | - | 4x7 | 13 | 4x7 | 16 | 4x7 | 17 | 5x7 | 20 |
| 4.7 | - | - | - | - | 4x7 | 16 | 4x7 | 16 | 4x7 | 19 | 4x7 | 22 | 5x7 | 26 |
| 10 | - | - | 4x7 | 21 | 4x7 | 24 | 4x7 | 19 | 5x7 | 29 | 5x7 | 34 | 6x7 | 40 |
| 22 | 4x7 | 29 | 4x7 | 33 | 4x7 | 37 | 5x7 | 29 | 6x7 | 45 | 6x7 | 53 | - | - |
| 33 | 4x7 | 37 | 4x7 | 41 | 5x7 | 48 | 5x7 | 45 | 6x7 | 59 | - | - | - | - |
| 47 | 4x7 | 44 | 4x7 | 51 | 5x7 | 57 | 6x7 | 59 | - | - | - | - | - | - |
| 100 | 5x7 | 68 | 5x7 | 75 | 6x7 | 89 | 8x7 | 95 | - | - | - | - | - | - |
| 220 | 6x7 | 101 | 6x7 | 118 | 8x7 | 120 | - | - | - | - | - | - | - | - |
| 330 | 8x7 | 132 | 8x7 | 135 | - | - | - | - | - | - | - | - | - | - |
| 470 | 8x7 | 144 | 8x7 | 150 | - | - | - | - | - | - | - | - | - | - |

Rated Ripple Current: 85 °C, 100Hz or 120Hz

The Specific capacitance and case size are available on request by customer