

Materials:

Housing: 30% Glass filled PBT UL94V-0

Contacts: Phosphor Bronze

Electrical:

Current rating: 2A (at 20°C)

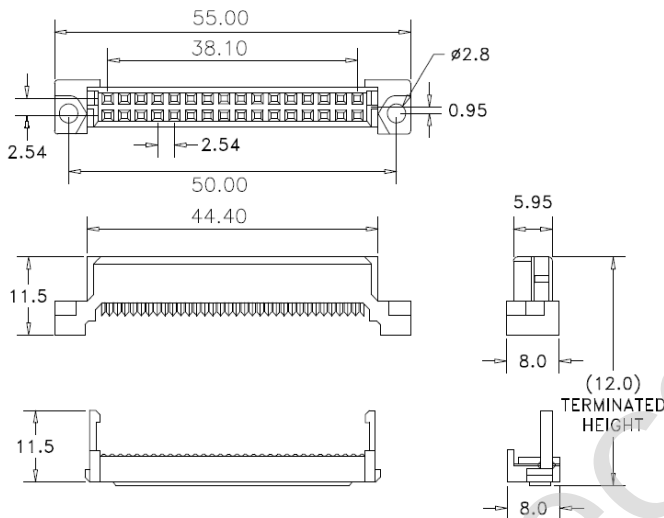
Contact resistance: $\leq 30\text{m}\Omega$

Insulator Resistance: $1000\text{M}\Omega\text{min. at DC 500V.}$

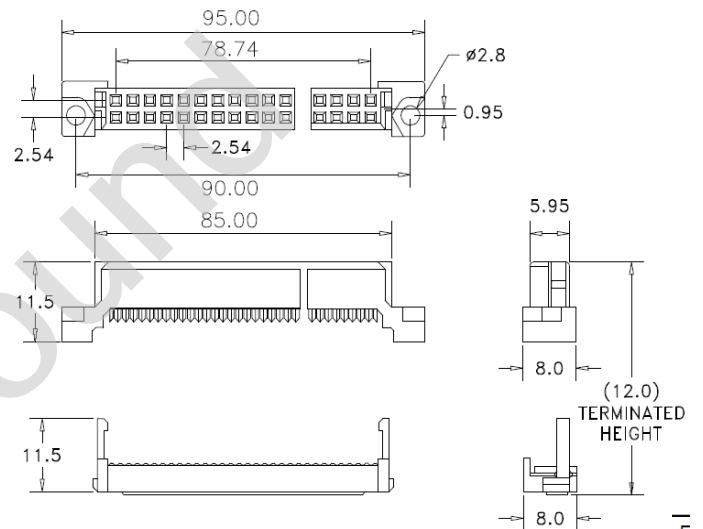
Dielectric Withstanding Voltage: 1000V for 1 minute.

Working temperature: -55 to +125°C

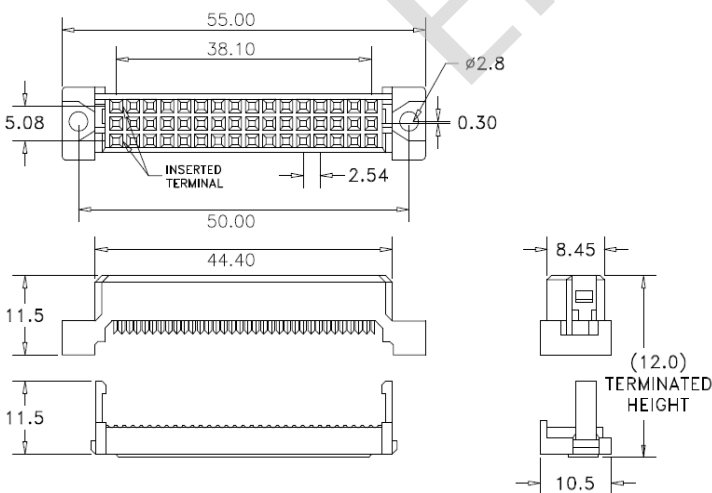
32Pins 2 Row



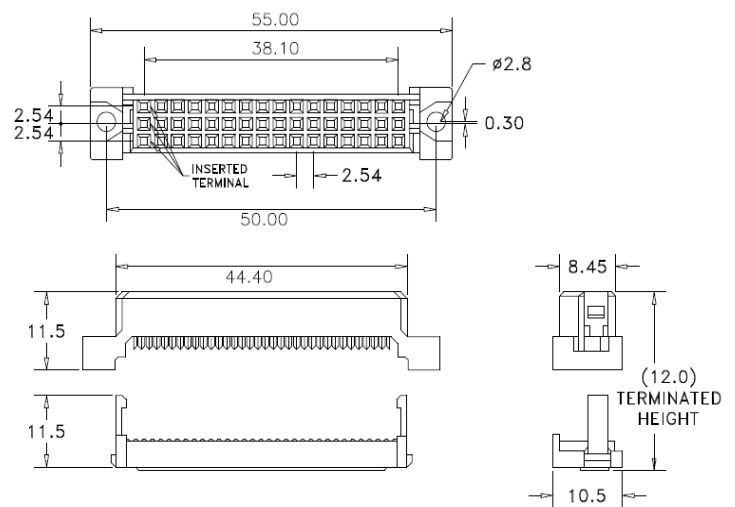
64pins 2 Row



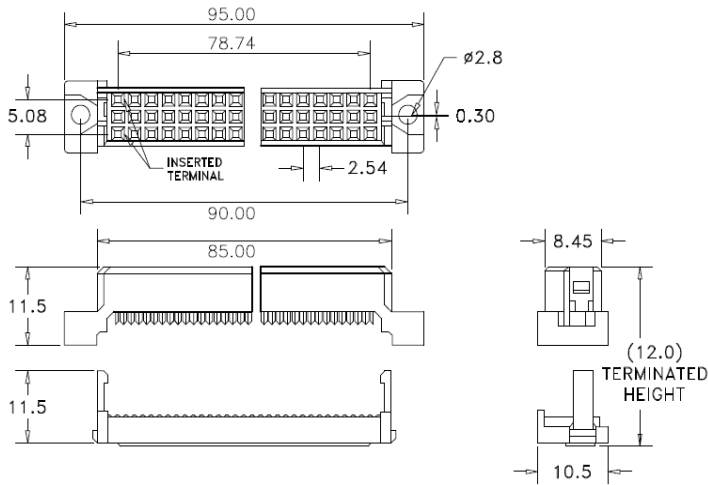
32Pins 3 Row



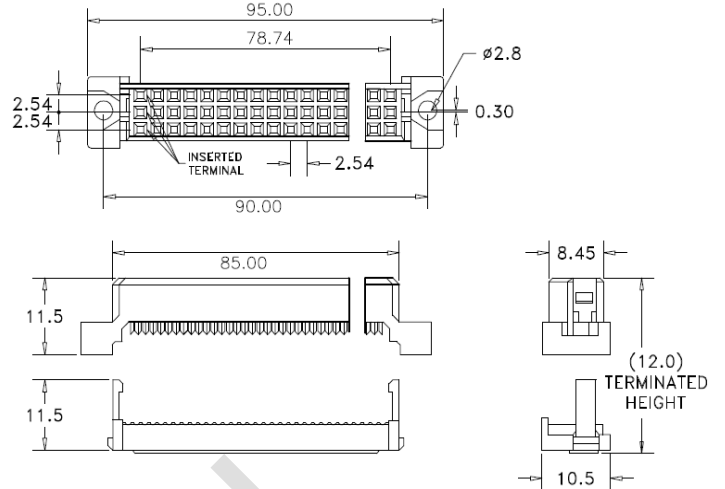
48Pins 3 Row



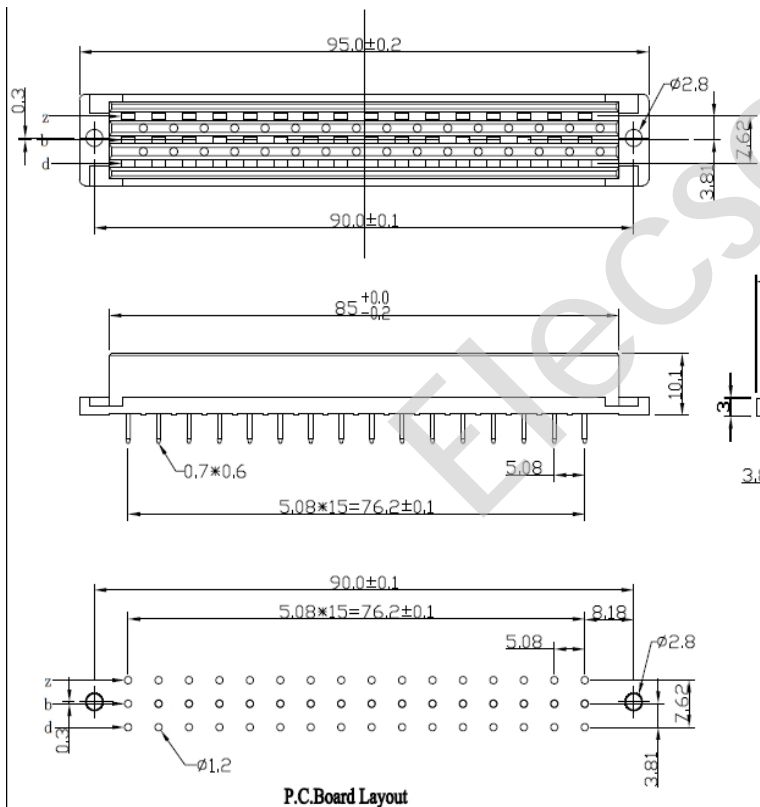
64Pins 3 Row



96Pins 3 Row



F Style



F Style 90 Degree

